

JAVAD GRANT



GrAnt is a versatile high performance antenna. It can be mounted on flat surfaces with four screws or mounted on standard poles (5/8-11 or 1-14 inches thread). The antenna cable can be connected via the standard TNC (N-type optional) connector on its side or routed through the center of the antenna for ultimate protection in harsh environments.

J-Shield is our filter that protects GPS L1, Galileo L1 and GLONASS L1 bands. It brings in all the useful signals intact and rejects out of band signals with the slope of about 12 dB/MHz.

Similarly, it is our filter that protects GPS L2, GPS L5, GLONASS L2, GLONASS L3, and Galileo L5 and has slope of about 9 dB/MHz.

These filters have been extensively tested with five different innovative tests and prove that the filters also improve the performance of GNSS receivers.

GrAnt can track GPS, GLONASS, Galileo, BeiDou, WAAS, EGNOS, MSAS, GAGAN and QZSS signals. An optional ground plane can be purchased to increase multipath mitigation.



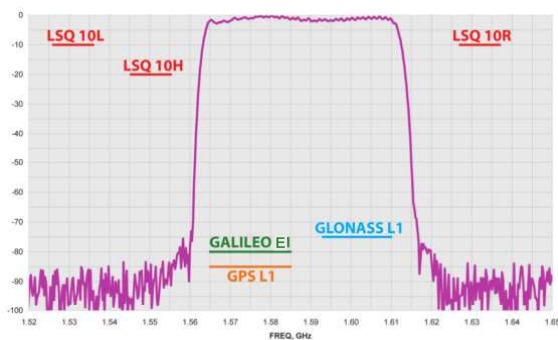
Avda. Filipinas, 46
28003 Madrid

Tfo. 91 5537207

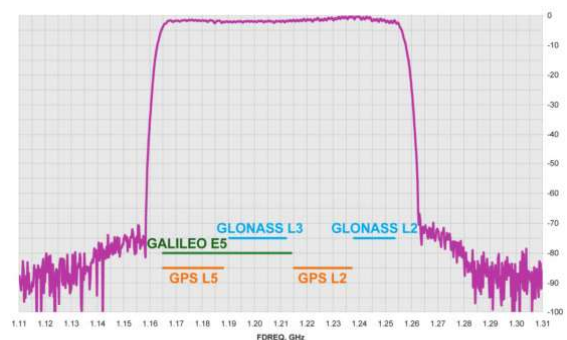
Fax 91 5336282

E-mail grafinta@grafinta.com

	G3	G3T	G5T
Signal			
Capability	GPS L1, GLONASS L1, GALILEO E1/E2, BEIDOU B1, WAAS L1, EGNOS, MSAS, GAGAN, QZSS L1	GPS L1/L2/L2C/L5, GLONASS L1/L2/L3, GALILEO E1/E2/E5ab, BEIDOU B1/B2, WAAS L1/L5, EGNOS, MSAS, GAGAN, QZSS L1/L2/L2C/L5	GPS L1/L2/L2C/L5, GLONASS L1/L2/L3, GALILEO E1/E2/E5ab/E6, BEIDOU B1/B2/B3, WAAS L1/L5, EGNOS, MSAS, GAGAN, QZSS L1/L2/L2C/L5/LEX
Frequency. MHz	1551~1614	1551~1614 1164~1254	1551~1614 1164~1300
Electrical			
Antenna Gain, dB (typ.)	5.0	5.0 (1551~1614 MHz) 4.0 (1164~1254 MHz)	5.0 (1551~1614 MHz) 4.0 (1164~1300 MHz)
Axial Ratio, dB (max.)	3.0		
Output Impedance, Ohm	50		
LNA gain, dB	32±2 40±2 (optional)		
Noise Figure, dB (typ.)	1.7		
DC voltage, VDC	3.0~15.0		
Current, mA (typ.) @ 5 V	25 32 (40 dB LNA gain)	45 52 (40 dB LNA gain)	45. 52 (40 dB LNA gain)
Power consumption, W (max)	0.38 0.48 (40 dB LNA gain)	0.68 0.78 (40 dB LNA gain)	0.68 0.78 (40 dB LNA gain)
Environmental			
Operating Temperature, °C	-45 ~ +85		
Storage Temperature, °C	-50 ~ +85		
Humidity	Waterproof, 100% non-condensing, IP68		
Mechanical			
Antenna type	Microstrip		
Connector	TNC; N-type (optional)		
Weight, g	450	515	
Dimensions, mm	140 x 140 x 62		
Enclosure	Radome: ABS, Base: Aluminum		
Color	Green		
Mounting	5/8-11 or 1-14 inches mount, or 4 holes M5		

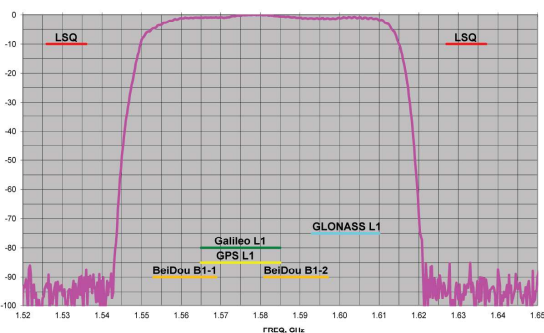


Frequency response of J-Shield filter for GPS L1, Galileo E1, and GLONASS L1 bands.

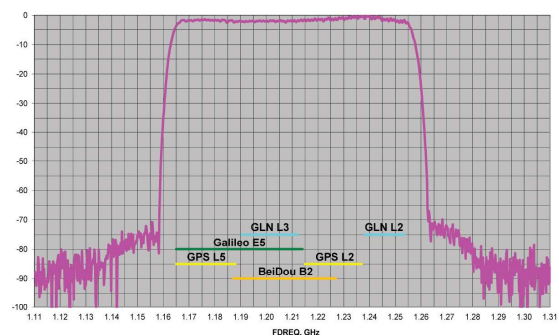


Frequency response of J-Shield filter for GPS L2, GPS L5, GLONASS L2, GLONASS L3, and Galileo E5

	G3-JS	G3+	G3T-JS	G3T+
Signal				
Capability	GPS L1, GLONASS L1, GALILEO E1, WAAS L1, EGNOS, MSAS, GAGAN, QZSS L1	GPS L1, GLONASS L1, GALILEO E1, BEIDOU B1, WAAS L1, EGNOS, MSAS, GAGAN, QZSS L1	GPS L1/L2/L2C/L5, GLONASS L1/L2/L3, GALILEO E1/E5ab, WAAS L1/L5, EGNOS, MSAS, GAGAN, QZSS L1/L2/L2C/L5	GPS L1/L2/L2C/L5, GLONASS L1/L2/L3, GALILEO E1/E2/E5ab, BEIDOU B1/B2, WAAS L1/L5, EGNOS, MSAS, GAGAN, QZSS L1/L2/L2C/L5
Frequency, MHz	1565~1610	1555~1610	1565~1610 1164~1254	1555~1610 1164~1254
Electrical				
Antenna Gain, dB (typ.)	5.0		5.0 (1565~1610 MHz) 4.0 (1164~1254 MHz)	5.0 (1555~1610 MHz) 4.0 (1164~1254 MHz)
Axial Ratio, dB (max.)	3.0			
Output Impedance, Ohm	50			
LNA gain, dB	33±3 43±3 (optional)			
Noise Figure, dB (typ.)	2.8			
DC voltage, VDC	4.5~15.0			
Current, mA (typ.) @ 5 V	57 64 (40 dB LNA gain)		90 97 (40 dB LNA gain)	
Power consumption, W (max)	0.3 0.4 (40 dB LNA gain)		0.46 0.6 (40 dB LNA gain)	
Environmental				
Operating Temperature, °C	-45 ~ +85			
Storage Temperature, °C	-50 ~ +85			
Humidity	Waterproof, 100% non-condensing, IP68			
Mechanical				
Antenna type	Microstrip			
Connector	TNC; N-type (optional)			
Weight, g	450		515	
Dimensions, mm	140 x 140 x 62			
Enclosure	Radome: ABS, Base: Aluminum			
Color	Green			
Mounting	5/8-11 or 1-14 inches mount, or 4 holes M5			

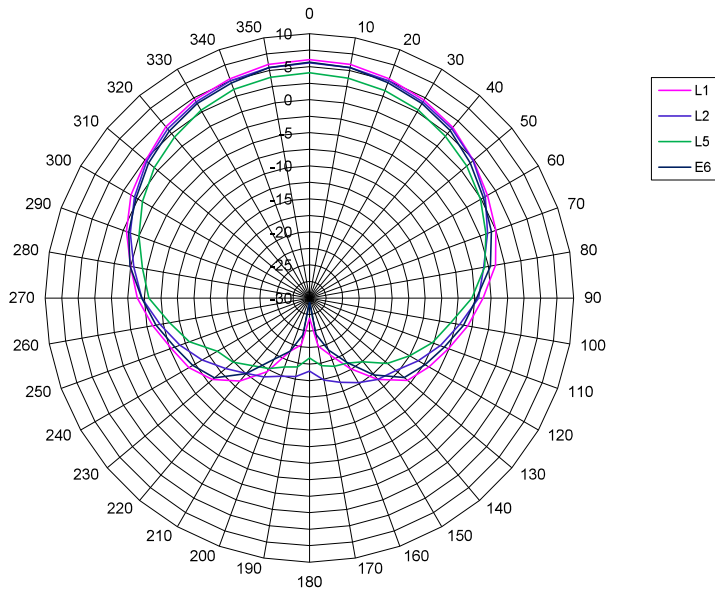


Frequency response of GrAnt-G3T+/GrAntG3+ filter for GPS L1, Galileo E1, and GLONASS L1 bands.

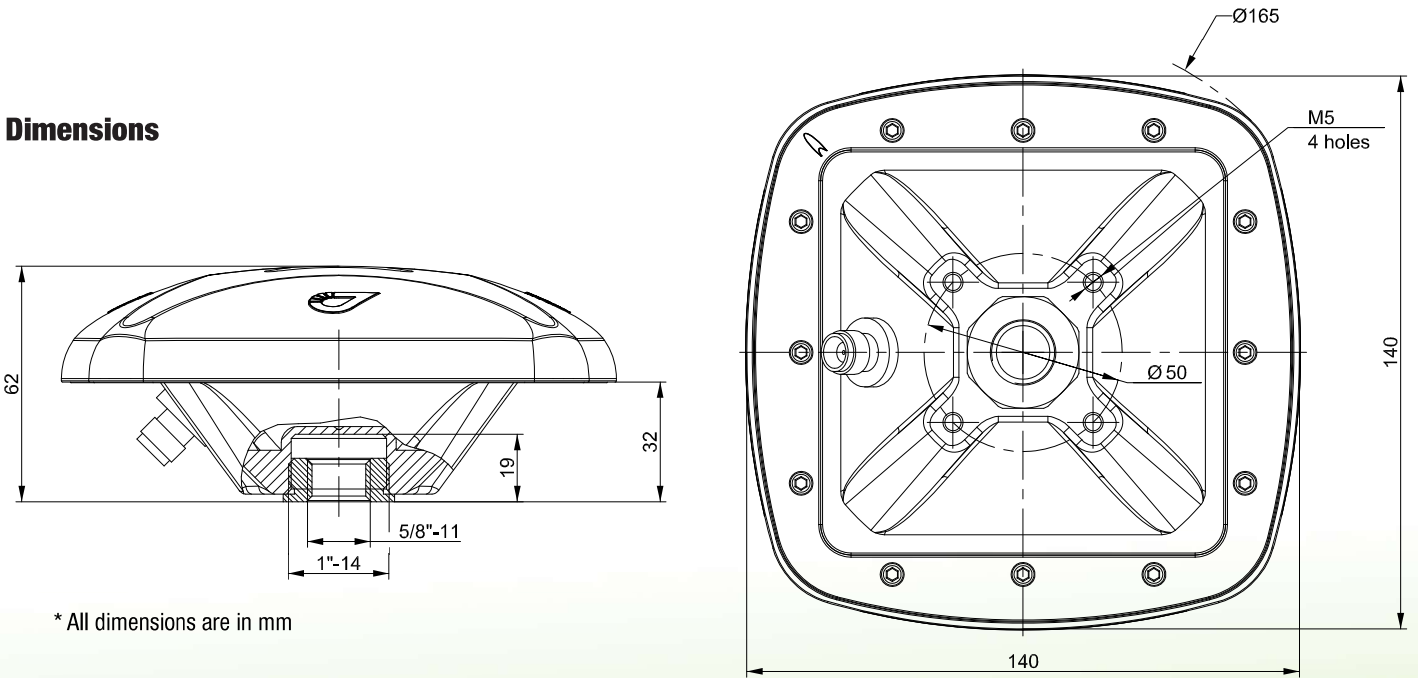


Frequency response of GrAnt-G3t+ filter for GPS L2, GPS L5, GLONASS L2, GLONASS L3, and Galileo E5

Radiation Pattern



Dimensions



* All dimensions are in mm



JAVAD GNSS
www.javad.com

Rev.3.4 March 5, 2018



Avda. Filipinas, 46
 28003 Madrid
 Tfo. 91 5537207
 Fax 91 5336282
 E-mail grafinta@grafinta.com