



AIRANT

The AirAnt antenna is designed to be mounted on aircrafts* and applications where low profile and aerodynamic shape are desired. The sophisticated interference signal rejection and capability to track GPS, GLONASS, GALILEO, BEIDOU, WAAS, EGNOS, MSAS, GAGAN and QZSS signals make this antenna useful for wide range of applications.

AirAnt's lightweight yet rugged design combined with low power consumption make it an ideal antenna for almost any environment.

* AirAnt is not FAA (U.S. Federal Aviation Administration) certified yet and cannot be used in commercial aircrafts or any application where FAA certification is required.



Avda. Filipinas, 46

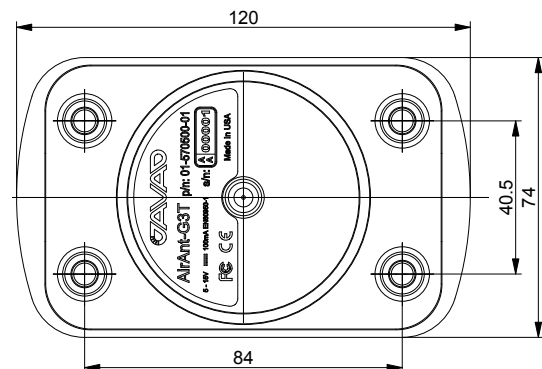
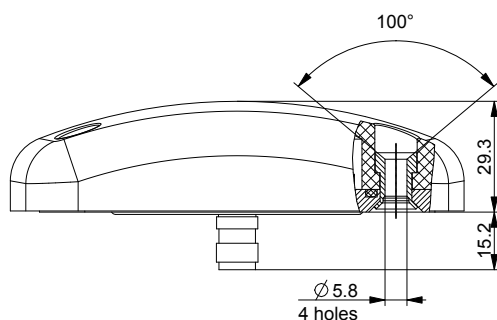
28003 Madrid

Tfo. 91 5537207

Fax 91 5336282

E-mail grafinta@grafinta.com

Signal	
Capability	GPS L1/L2/L5 GLONASS L1/L2/L3 GALILEO E1/E2/E5abBEIDOU B1/B2 WAAS L1/L5, EGNOS, MSAS, GAGAN QZSS L1/L2/L5
Frequency	1559~1610MHz 1164~1253 MHz
Electrical	
Antenna Gain	1559~1610MHz – 4.0 dB typ. 1164~1253 MHz – 3.0 dB typ.
Axial Ratio	3.0 dB max.
Output Impedance	50 Ohm
VSWR	2.0 : 1
LNA gain	30±3 dB
Noise Figure	1559~1610MHz – 2.5 dB max 1164~1253 MHz – 2.0 dB max
DC voltage	4.7~12.0VDC 85mA@5.0V typ.
Environmental	
Operating Temperature	-50°C ~ +85°C
Storage Temperature	-60°C ~ +85°C
Humidity	Waterproof
Mechanical	
Antenna type	Microstrip
Connector	TNC
Weight	320 g
Dimensions	120 mm x 74 mm x 44 mm
Enclosure	Radome: GE PEI+40%GF Base: Aluminum
Color	White
Mounting	4 holes



* All dimensions are in mm

Specifications are subject to change without notice



JAVAD GNSS

www.javad.com

Rev.2.2 October 8, 2014