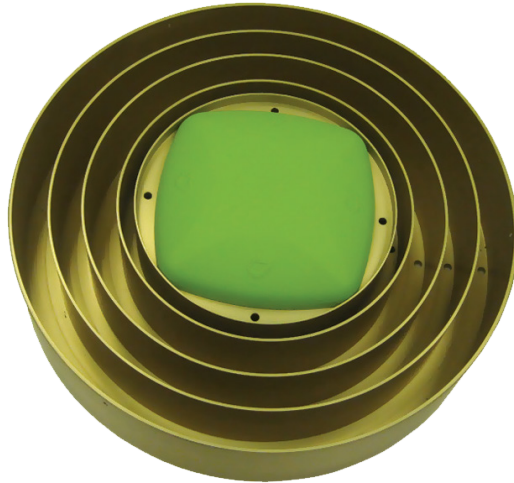


JAVAD



RINGANT-G5T

RingAnt-G5T is our GrAnt antenna mounted on our own choke ring. This makes our GrAnt antenna field upgradeable to choke ring type.

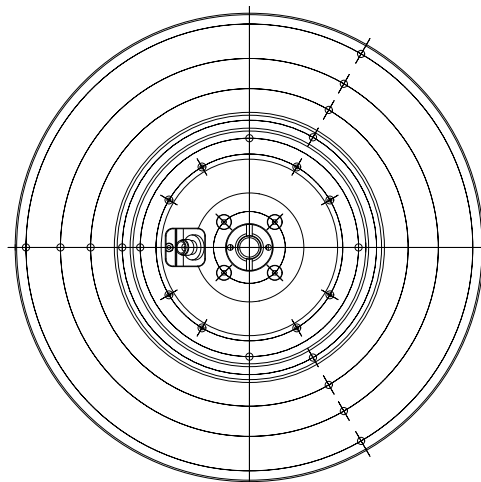
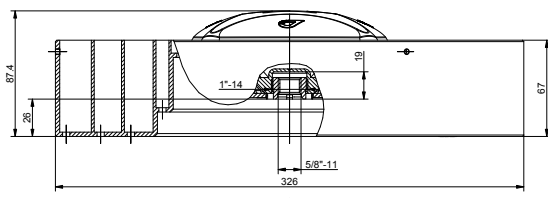
The antenna cable can be connected via the standard TNC (N-type optional) connector on its side.

RingAnt-G5T can track GPS, GLONASS, Galileo, BeiDou, WAAS, EGNOS, MSAS, GAGAN and QZSS signals.

**Grafinta**
Avda. Filipinas, 46
28003 Madrid
Tfo. 91 5537207
Fax 91 5336282
E-mail grafinta@grafinta.com

RINGANT-G5T

Signal	
Capability	GPS L1/L2/L5 GLONASS L1/L2/L3 GALILEO E1/E2/E5ab/E6 BEIDOU B1/B2/B3 WAAS L1/L5, EGNOS, MSAS, GAGAN QZSS L1/L2/L5/LEX
Frequency	1555~1610 MHz 1164~1300 MHz
Electrical	
Antenna Gain	1555~1610MHz – 6.0 dB typ. 1164~1300 MHz – 5.0 dB typ.
Axial Ratio	3.0 dB max.
Output Impedance	50 Ohm
LNA gain	32±2 dB 40±2 dB (optional)
Noise Figure	1555~1610MHz – 1.7 dB typ. 1164~1300 MHz – 1.7 dB typ.
DC voltage	3.0~15.0VDC 45mA@5.0V typ.
Environmental	
Operating Temperature	-45°C ~ +85°C
Storage Temperature	-50°C ~ +85°C
Humidity	Waterproof, IP 68
Shock	Survives a 0.5 m drop onto a hard surface
Mechanical	
Antenna type	Microstrip
Connector	TNC; N-type (optional)
Weight	2.7 kg
Dimensions	Ø326 mm; h=88 mm
Enclosure	Radome: ABS; Base: Aluminum
Mounting	5/8-11 inches mount



* All dimensions are in mm



JAVAD GNSS
www.javad.com

Rev.1.3 April 23, 2015



Avda. Filipinas, 46
28003 Madrid
Tfo. 91 5537207
Fax 91 5336282

E-mail grafinta@grafinta.com