

Connect your pointcloud to the world

Accurately georeference your ZEB data without the need for control points.

Integrate a backpack mounted ZEB Horizon with precision GPS to create georeferenced point cloud data.

- Collect and create an accurate point cloud in minutes, integrated with GPS location using our ZEB Locate software.
- Enhance your ZEB Horizon workflow to support outdoor applications where location data is important.

Scanner specification

Range	100m
FOV	360° x 270°
Protection class	IP 54
Operating Temp	0 – 50°C
Processing	Post
Weight	5.35kg
Intensity	✓
Referenced imagery	✓
Scanner points per second	300,000
No. of sensors	16
Automated scanner start	✓
Relative accuracy	1-3cm*
Raw data file size	100 - 200MB /min

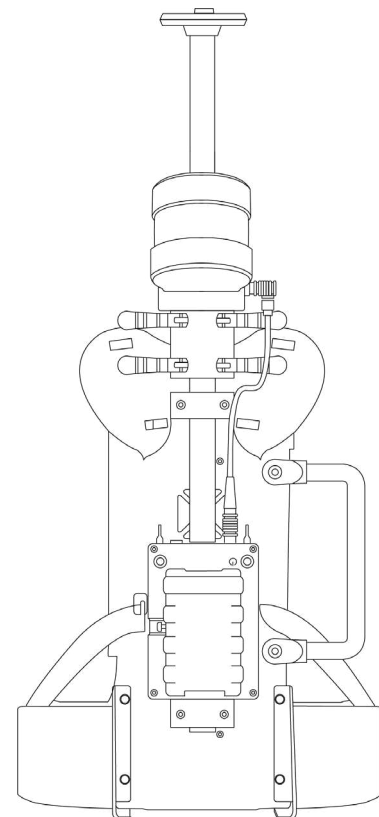
*environment dependent

GPS Antenna

Accuracy	1cm - 100cm**
Dimensions	130 x 60 mm
Weight	300 g
Mounting	Easy push fit adaptors

You will need to purchase your own GPS receiver
GPS Antenna specification refers to Trimble Catalyst DA1 Antenna
ZEB Locate software will support receivers that can log NMEA GGA and GST data or get CSV DA1 like file

**subscription dependent



Grafinta

Avda. Filipinas, 46
28003 Madrid
Tfo. 91 5537207
Fax 91 5336282

E-mail grafinta@grafinta.com

