



# SS-WHTC - STAINLESS STEEL HOUSING FOR THERMAL CAMERAS

---

## Datasheet

---

 **Grafinta**  
Avda. Filipinas, 46  
28003 Madrid  
Tfo. 91 5537207  
Fax 91 5336282  
E-mail [grafinta@grafinta.com](mailto:grafinta@grafinta.com)

**Release date: 26th of January 2021**

**Revision number: 210126**

# Stainless Steel Workswell Housing for Thermal

## Introduction

**SS-WHTC** Workswell Stainless Steel protective housing for thermal camera is specially designed for using in various industrial, fire-safety and surveillance applications in extreme conditions where it has high corrosive effects or a ban on the occurrence of aluminium. The housing is suitable for different thermal cameras that can be equipped with smaller or bigger lenses. Workswell Stainless Steel housing offers effective protection **IP67** against dust, rain, snow and freezing conditions due to integrated heater system and the window from germanium.



The main part of the housing is very well optimized for maximum heat dissipation from camera electronics. For this reason is thermal measurement stable even at high operational temperature fluctuations. The open system allows an easy access for installation of different kind of infrared cameras including **Workswell WIC**, **Workswell SMARTIS**, FLIR series etc. not exceeding dimensions **88 x 86 x 245 mm**.



## Technical specification

### General information

AISI 316L stainless steel construction

Passivated and electro-polished external surfaces

### Material standards

Housing polished stainless steel	AISI 316L; UNI 6900-71: X 2 Cr Ni Mo 17 12 2; DIN 17006: X 2 Cr Ni Mo 17 13 2; N° werkstoff: 1.4404; AFNOR: Z2 CND 17-12; BSI: 316S11
Screws alloy stainless steel	ISO: 7380; AISI: 316; ISO quality: A4; Resistance class ISO: from 50 to 70

### Mechanical information

Cable entry	2xPG13.5
Sunshield	Yes
Internal usable area (W x H x L)	88 x 86 x 245 mm
Weight	6 kg
Cable glands	2xPG13.5 (nickel-plated brass for external connections)
Flange thickness	9mm (front/back)
Gaskets	High sealing

### Germanium window information

Material	Germanium
Window protection	Window with protection grid
Spectral range	7.5 – 14 $\mu$ m
Dimensions	Diameter 55mm
Thickness	2mm
External treatment	Scratch resistant (Hard Carbon Coating), Antireflection
Internal treatment	Antireflection

### Power supply, Serial interface and heating

Power supply	12Vdc, 1.6A max
	24Vac, 0.85A max, 50/60Hz
	120Vac, 0.35A max, 50/60Hz
	230Vac, 0.18A max, 50/60Hz
Heater	On Temperature 15 °C $\pm$ 3 °C Off Temperature 22 °C $\pm$ 3 °C



Operating environment	
Indoor / Outdoor	Yes
IP protection	EN60529: 1991/A1 2001, IP66/IP67 with cable glands
Operating temperature with heating	-20 °C...+60 °C, Relative humidity 10-95% (non-condensation)
Certifications	
Electrical safety (CE)	EN60065
Electromagnetic compatibility (CE)	EN50130-4, EN61000-6-3
IP protection degree	EN60529 (IP66/IP67)
EAC certification	Yes
Accessories	
	Heater 12Vdc/24Vac
	Heater 120/230Vac
	Wide range power supply for camera IN 100-240Vac - OUT 12Vdc, 1.25A
	Camera power supply IN 230Vac - OUT 24Vac, 400mA

## Accessories – brackets and adaptors

**WALL MOUNT BRACKET 1**



**WALL MOUNT BRACKET 2**



**POLE MOUNT ADAPTOR**



**CORNER MOUNT ADAPTOR**



GRAFINTA S.A. - Avd. Filipinas, 46 - 28003 Madrid - Telf. 91 5537207 - [grafinta@grafinta.com](mailto:grafinta@grafinta.com) - [www.grafinta.com](http://www.grafinta.com)

**Phone numbers**  
+420 725 877 063  
+420 725 955 464

**E-mail and Web**  
[info@workswell.eu](mailto:info@workswell.eu)  
[www.workswell.eu](http://www.workswell.eu)

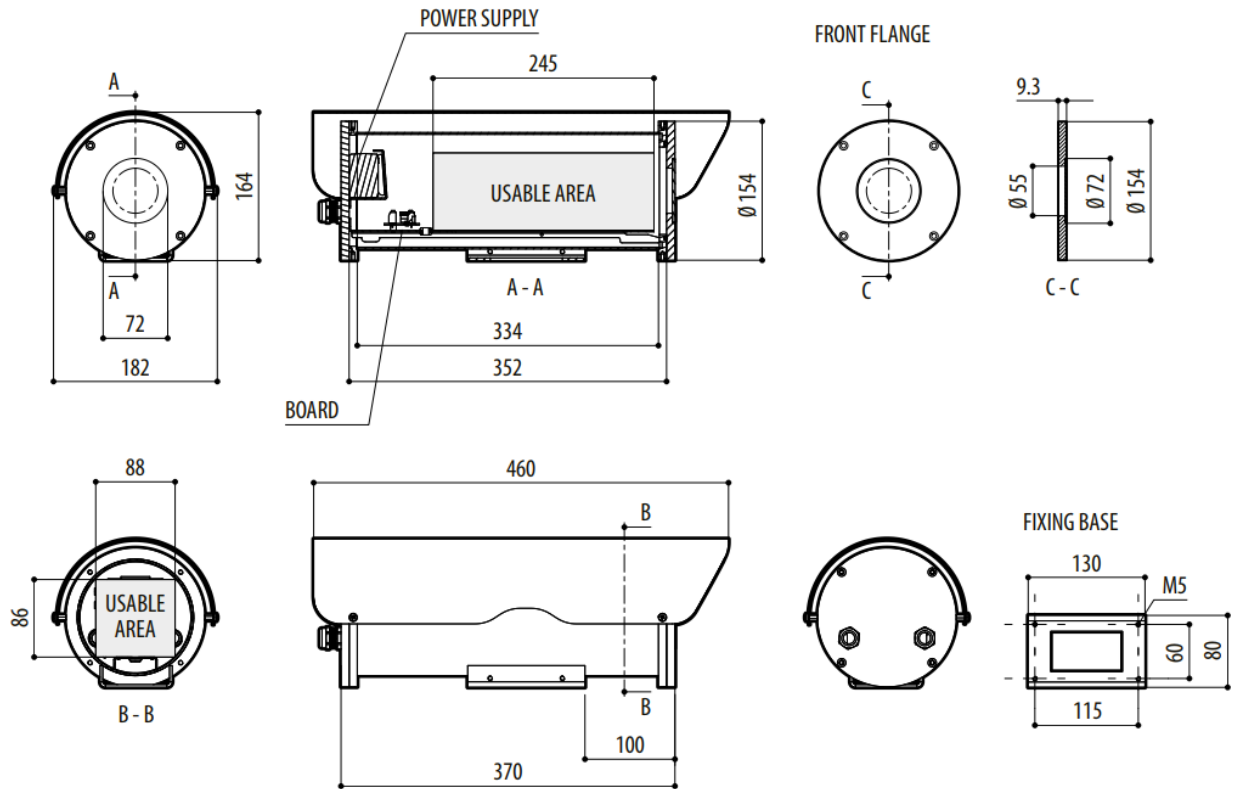
**ID**  
Reg. No.: 29048575  
VAT No. CZ29048575

**Headquarters**  
U Albrechtova Vrchu 12  
Prague, Czech Republic

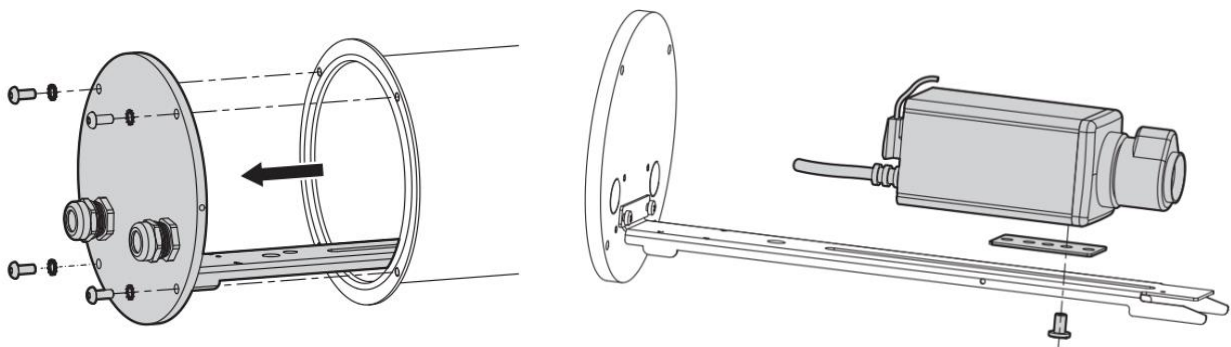


Revision 2.0 EN, 29/08/2018  
All pictures are only for illustration.  
Real values may vary.

## Dimensions (in millimetres)



## Installation



GRAFINTA S.A. - Avd. Filipinas, 46 - 28003 Madrid - Telf. 91 5537207 - grafinta@grafinta.com - www.grafinta.com

**Phone numbers**  
+420 725 877 063  
+420 725 955 464

**E-mail and Web**  
info@workswell.eu  
www.workswell.eu

**ID**  
Reg. No.: 29048575  
VAT No. CZ29048575

**Headquarters**  
U Albrechtova Vrchu 12  
Prague, Czech Republic



Revision 2.0 EN, 29/08/2018  
All pictures are only for illustration.  
Real values may vary.

# Contact information

WORKSWELL IN THE WORLD



Find our partners worldwide

[www.workswell.eu/where-to-buy](http://www.workswell.eu/where-to-buy)



Avda. Filipinas, 46  
28003 Madrid  
Tfo. 91 5537207  
Fax 91 5336282

E-mail [grafinta@grafinta.com](mailto:grafinta@grafinta.com)

## SALES DEPARTMENT

Website: [www.workswell.eu](http://www.workswell.eu)

E-mail: [sales@workswell.eu](mailto:sales@workswell.eu)

Mobile: +420 737 547 622

## COMPANY CONTACT

Website: [www.workswell.eu](http://www.workswell.eu)

E-mail: [info@workswell.eu](mailto:info@workswell.eu)

Mobile: +420 725 877 063

## OFFICE LOCATIONS

Europe - Prague

United States of America

Global partner network

[www.workswell.eu](http://www.workswell.eu)

