

ULTRACOMPACT PRECISION ECHOSOUNDER ECHOLOGGER ECT400

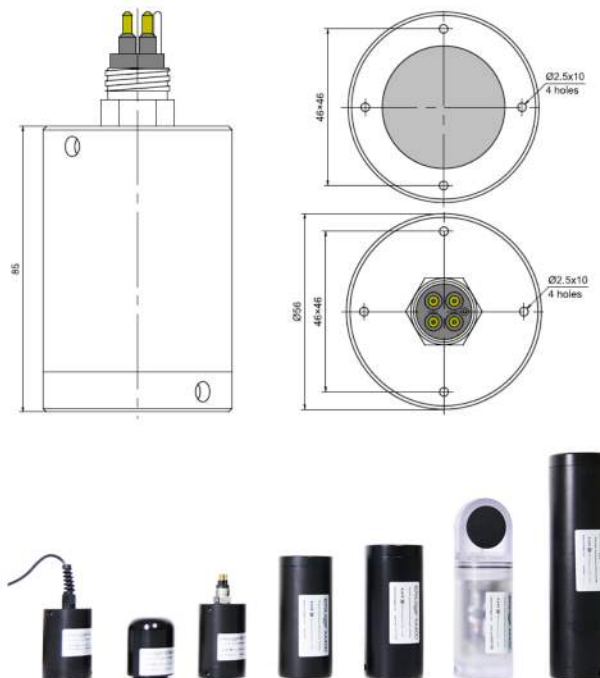
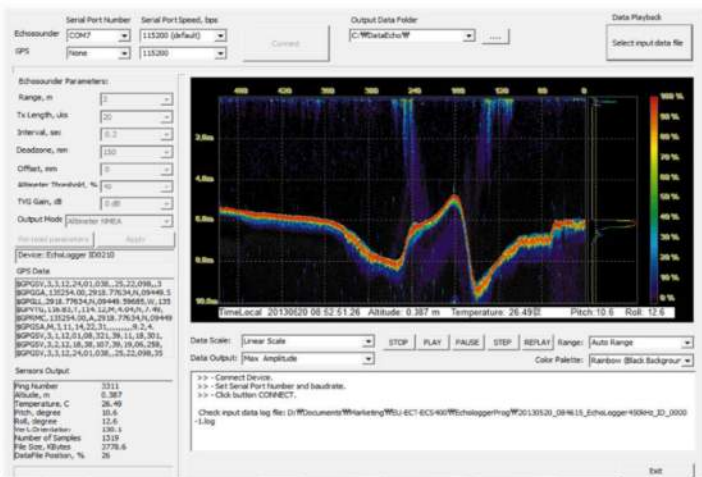


FEATURES

- Real-time backscatter data collection along full water columns
- Ultra compact (50mm dia. x 70mm length)
- Ideal for navigation of ROV/AUVs
- Serial interface (RS232, 485, 422)
- Compatible with Hypack, Topcon receiver, HydroPro(Trimble)
- Seacon underwater wet connector in place
- User friendly GUI software provided for instant image update
- Tilt sensor integrated (option)
- Depth rate up to 1,000m

APPLICATIONS

- Altitude Measurement for Navigation
- Sediment Move Monitoring
- Bridge Scour Monitoring
- Harbor Security
- Wave/Tide Monitoring



SPECIFICATION

Acoustic Frequency	450 KHz
Beam width	5° Conical (-3dB)
Transmit Pulse Width	10µsec ~ 200µsec (10µsec step)
Ranges	0.15m~100m
Housing	ECT400 - PVC ECS400 - Aluminium (anodised)
Connector	SEACON
Operating Depth	100 m (Higher depth rate available on request)
Repetition (Ping)	10 Hz max
Rate Sampling Rate	100 kHz
Water Column Resolution	>7.5 mm
Altimeter Range Resolution	<1.0 mm
Temperature Resolution	0.1°C
Temperature Accuracy	0.5°C (-10°C ~ +50°C)
Tilt sensor integrated (optional)	
Dual-axis, horizontal operation	±90°
Inclination data accuracy	0.1
Digital Output Interface	RS-232, RS-485, RS-422
Communication Speed	4800 ~ 115200 baud (115200 baud default)
Data Output Format	ASCII TXT, NMEA0183, or user defined (optional)
Configuration and Data reading	Echologger Control Program Or any terminal program
Operation Temperature	-10°C +50°C
Power supply	8 ~ 75 VDC, 2W max
Dimensions	ECT: D56 mm x L85 mm (without connector) ECS: D55 mm x L70 mm (without connector)
Weight	ECT400 - 270g (PVC), ECS400 - 310g (Aluminum),
Other features	Hypack Compatible (NMEA) GPS integrated data
