



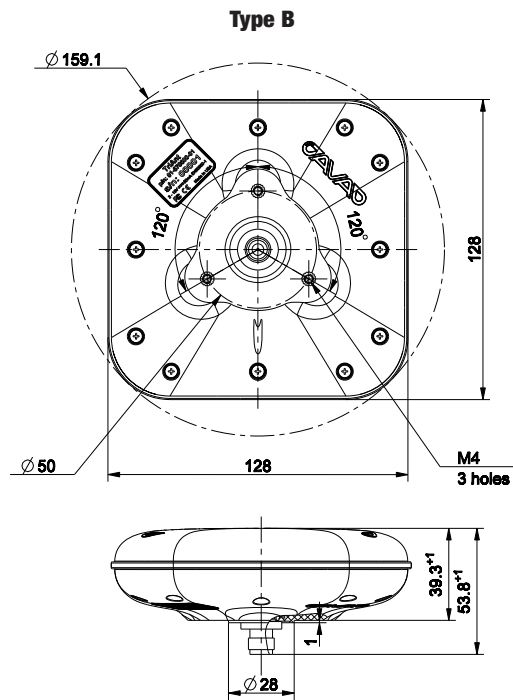
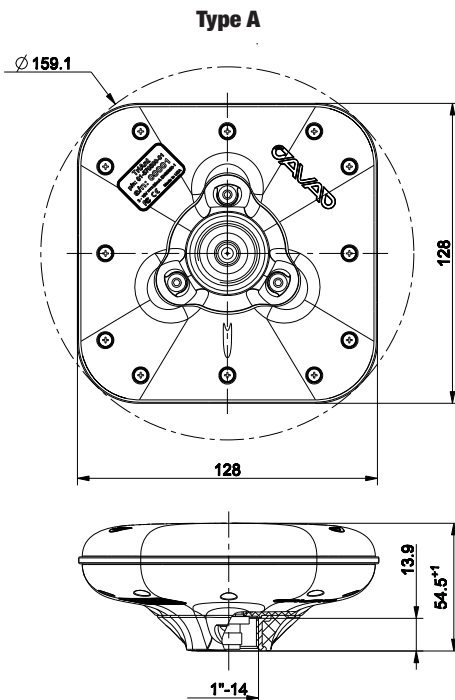
TriAnt



TriAnt is small, thin, and rugged high performance GNSS antenna. It measures 128 x 128 mm square and 39 mm thin. It can be mounted with three screws to flat surfaces. It is ideal for applications like machine control and surround antennas of TRIUMPH-4X. Antenna cable is routed through the center of the antenna (TNC connector) for ultimate protection in harsh environments.

TriAnt can also be mounted on poles (1-14 inches thread) using its mount pole attachment which increases the thinness to 54.5 mm.

Signal	
Capability	GPS L1/L2/L5 GLONASS L1/L2/L3 GALILEO E1/E5ab BEIDOU B1/B2 WAAS L1/L5, EGNOS, MSAS, GAGAN QZSS L1/L2/L5
Frequency	1559~1610MHz 1164 ~1253 MHz
Electrical	
Antenna Gain	1559~1610MHz – 5.0 dB typ. 1164~1253 MHz – 4.0 dB typ.
Axial Ratio	3.0 dB max.
Output Impedance	50 Ohm
VSWR	2.0 : 1
LNA gain	32±2 dB
Noise Figure	1559~1610MHz – 1.7 dB typ. 1164~1253 MHz – 1.7 dB typ.
DC voltage	3.0~15.0VDC 45mA@5.0V typ.
Environmental	
Operating Temperature	-45°C ~ +85°C
Storage Temperature	-50°C ~ +85°C
Humidity	Waterproof
Mechanical	
Antenna type	Microstrip
Connector	TNC
Weight	470 g (Type A) 425 g (Type B)
Dimensions	128 mm x 128 mm x 54.5 mm (Type A) 128 mm x 128 mm x 53.8 mm (Type B)
Enclosure	Radome: ABS Base: ABS
Color	JAVAD GNSS Green
Mounting	1-14 inches mount (Type A) 3 holes M5 (Type B)



* All dimensions are in mm

Specifications are subject to change without notice.



JAVAD GNSS
www.javad.com

Rev.2.1 July 16, 2013



Avda. Filipinas, 46
28003 Madrid
Tfo. 91 5537207
Fax 91 5336282
E-mail grafinta@grafinta.com